

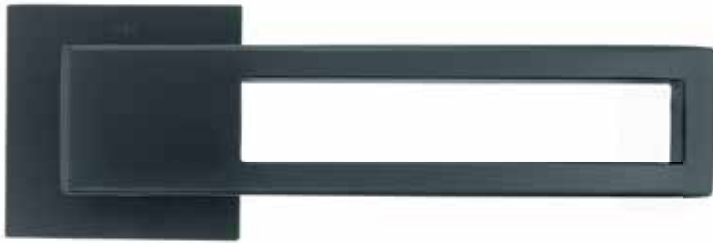
M&T





Roman Ulich

designed to be maximally functional, with simplicity of contours and dominant look



mat black PVD

31



satin nickel un-lacquered

13



brown nickel PVD

15





ENTRY
6

MAYA
14



MY
8

TUKAN
22



TRINITY
10

TORO
30



TERRY
12

MIMOLIMIT
38



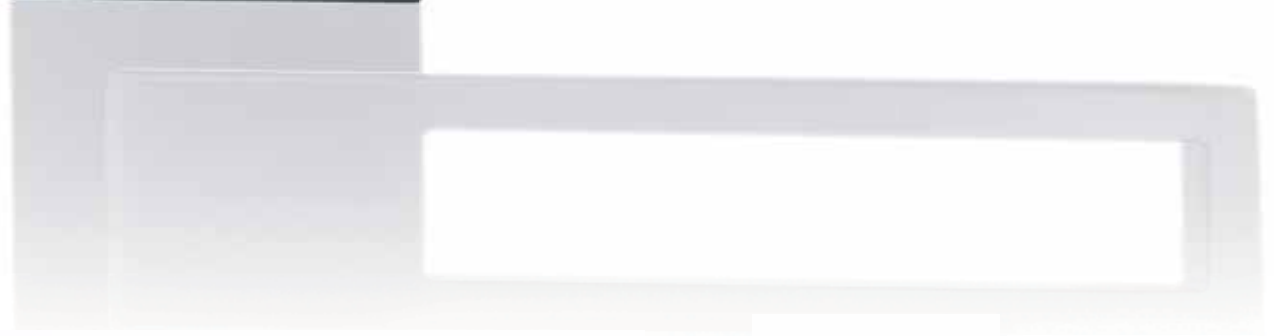
ENTRY

design *A. Wolf*





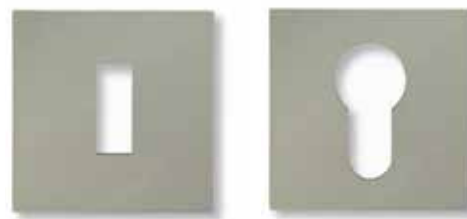
W3190.0001.46



W1390.0001.46

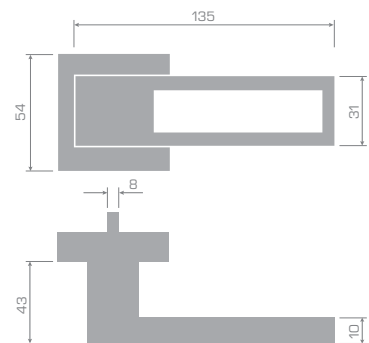


W1390.2410.61

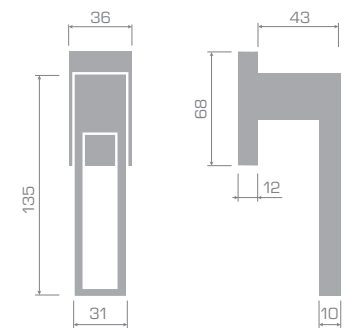


W1390.2400.55

W1390.2405.57



W1390.5500.90



MIY

design *2. Welf*

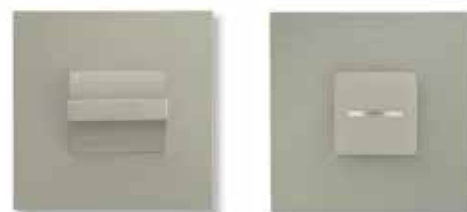




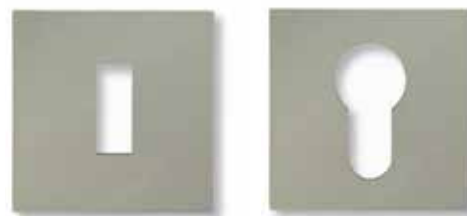
W3190.0002.46



W1390.0002.46

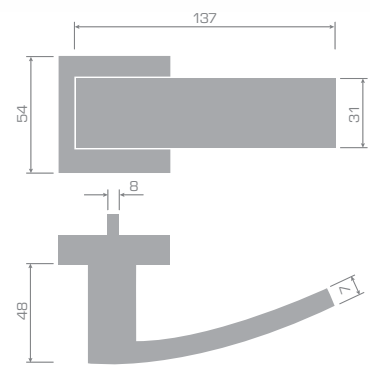


W1390.2410.61

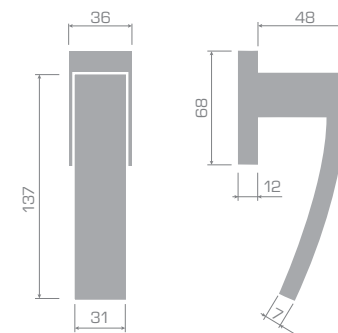


W1390.2400.55

W1390.2405.57



W1390.5502.90



TRINITY

design *A. Wolf*

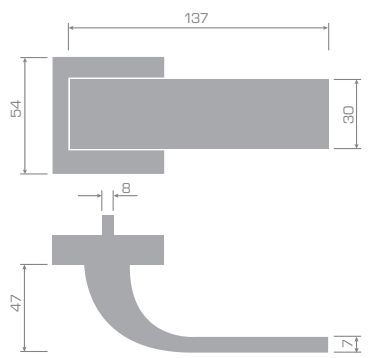




W3190.0003.46



W1390.0003.46



W1390.2410.61



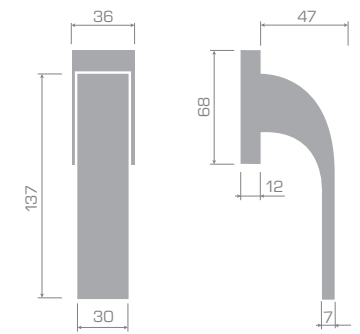
W1390.2400.55



W1390.2405.57



W1390.5501.90



TERRY

design *A. Weil*





W3190.0004.46



W1390.0004.46



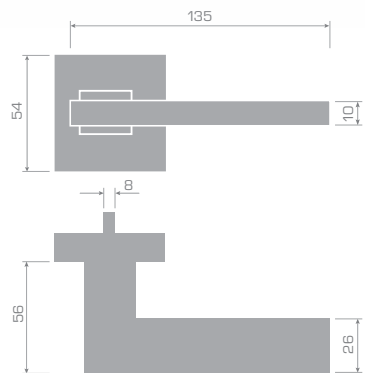
W1390.2410.61



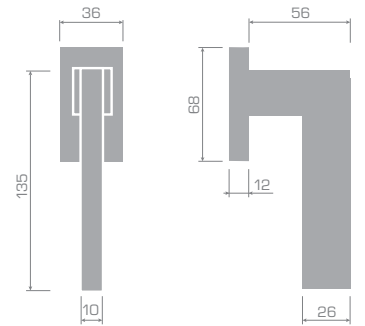
W1390.2400.55



W1390.2405.57



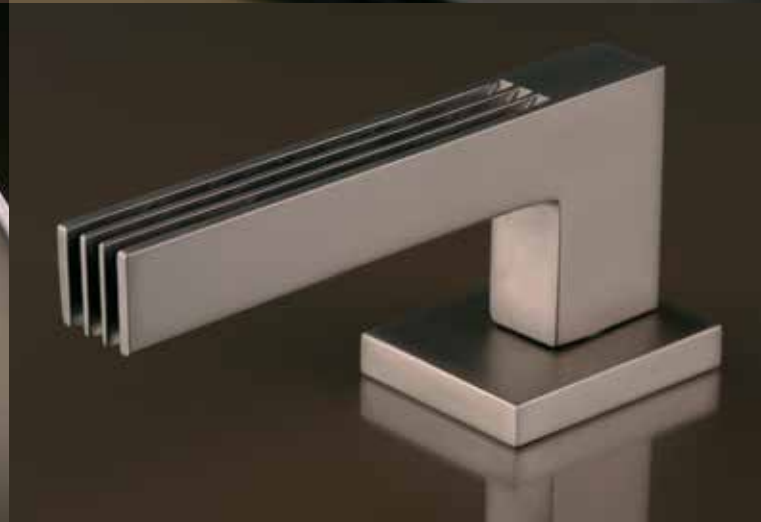
W1390.5503.90

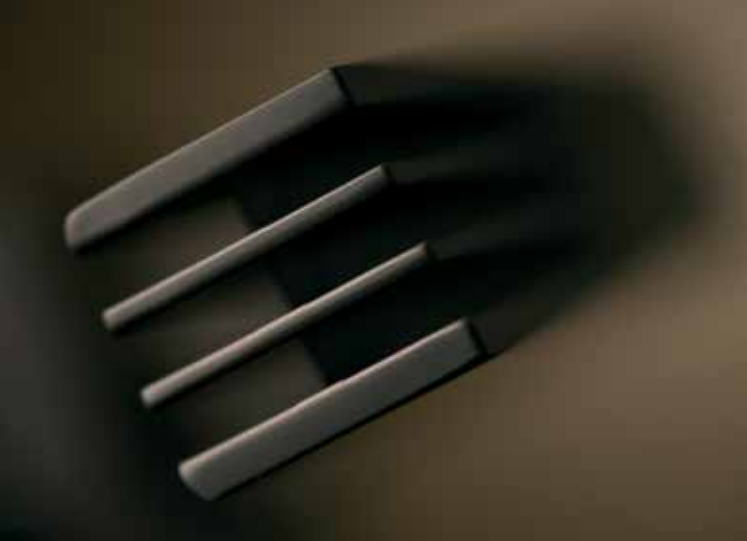
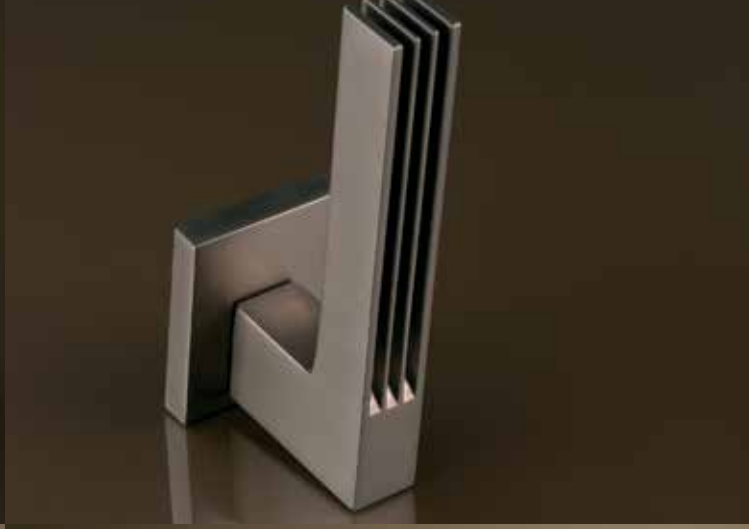
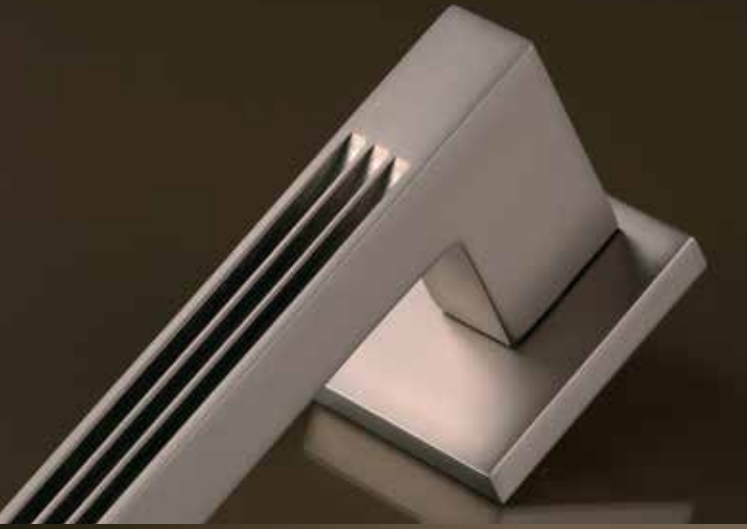


Mayan structures are timeless, they charm us with their elegance and their simple design, that have endured centuries and still inspire us.

„complex – a Mayan city”









MAYA

timeless

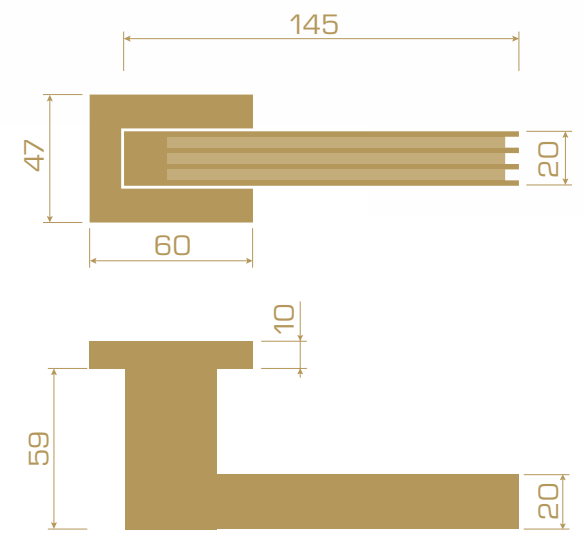




W1590.0006.46



W1390.0006.46





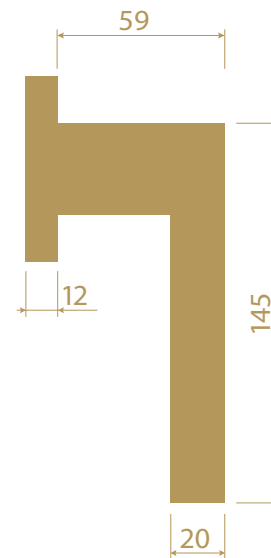
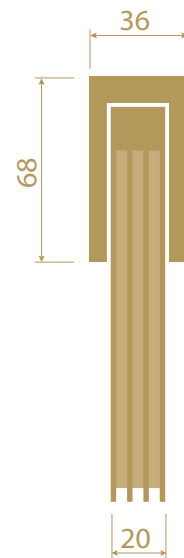
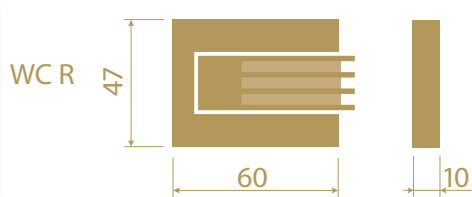
W1390.2411.61 LS
W1390.2412.61 RS



W1390.2403.55



W1390.2408.57



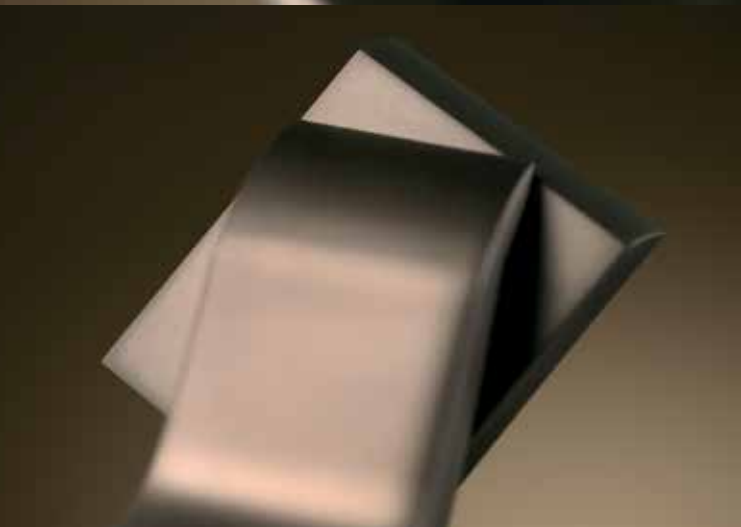
W1390.5505.90

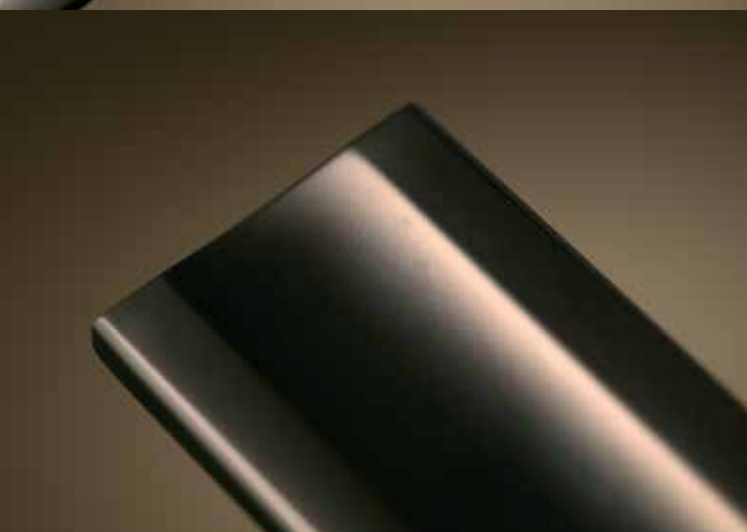
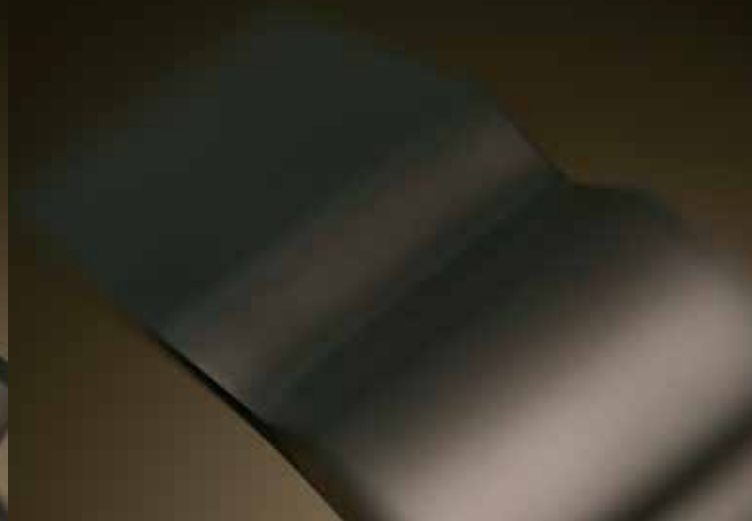
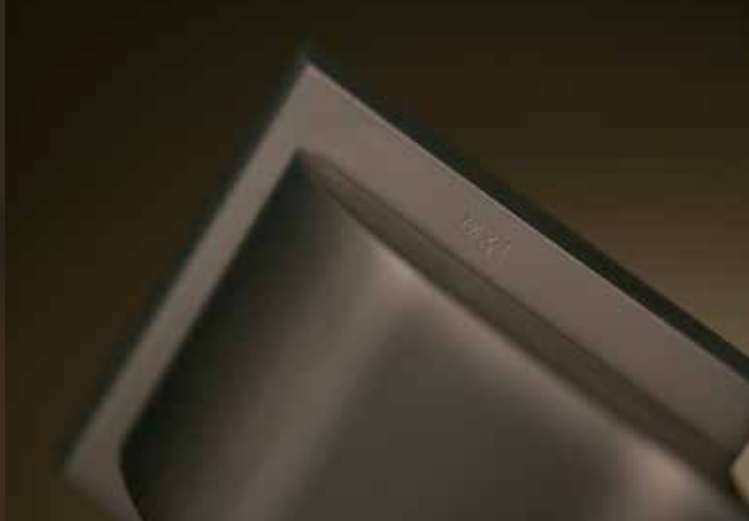


TOUCAN is attractive in its environment,
its look is dominant – hardly possible
to be overlooked...

„a toucan in the jungle“







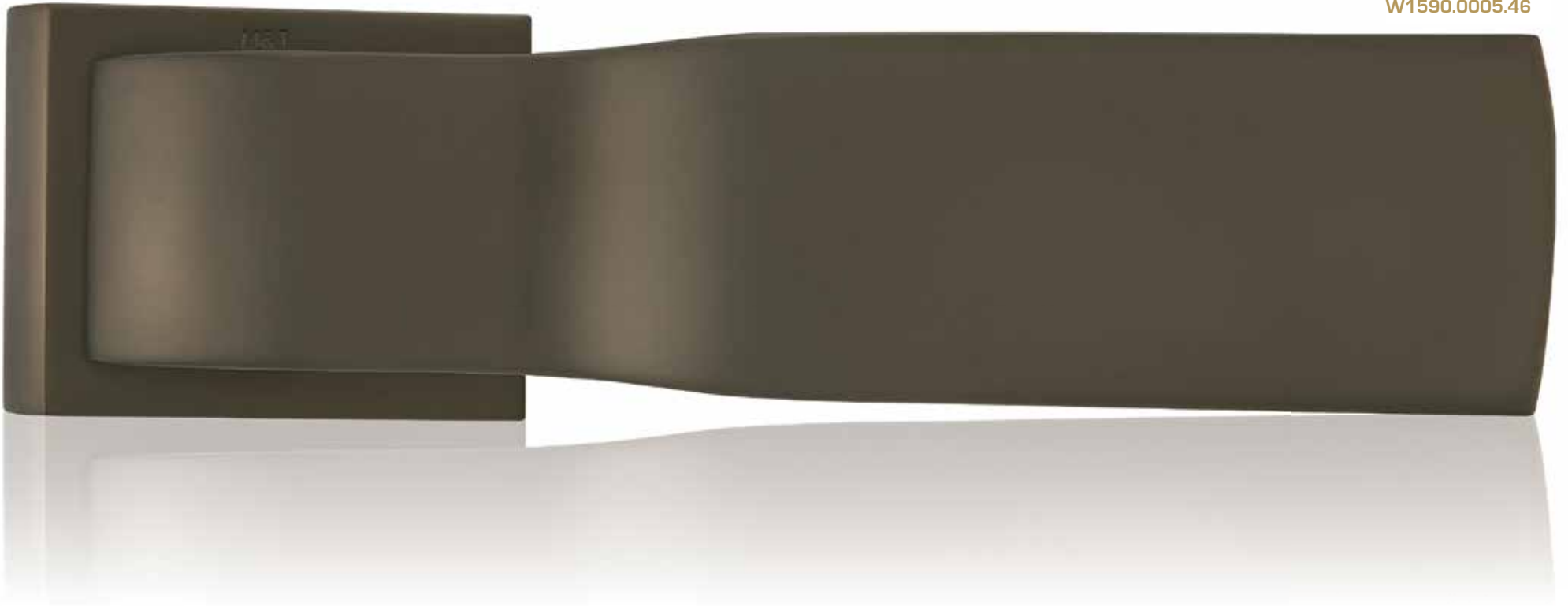


TUKAN

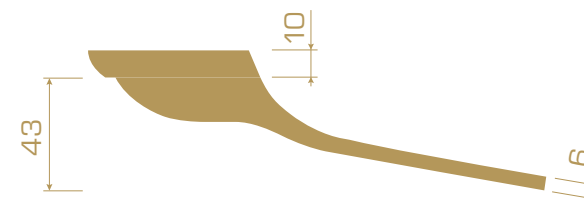
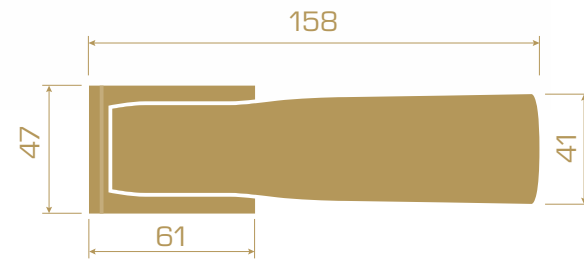
dominant



W1590.0005.46



W1390.0005.46



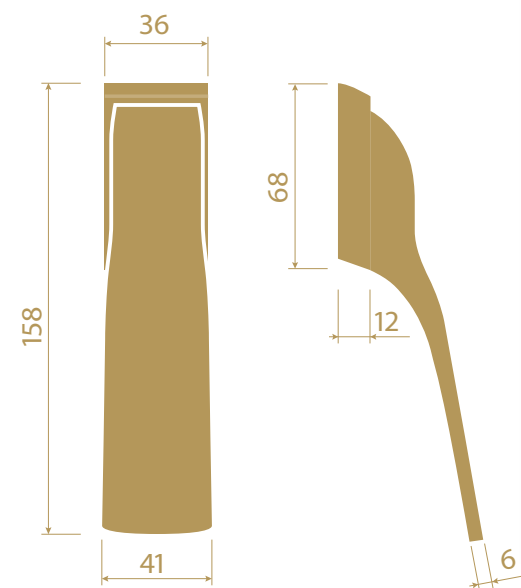
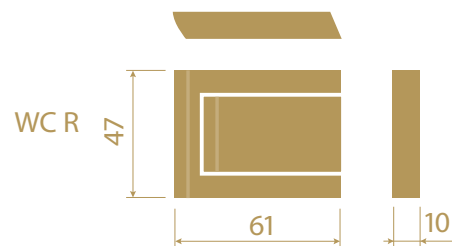


W1390.2413.61 LS
W1390.2414.61 RS



W1390.2403.55

W1390.2408.57



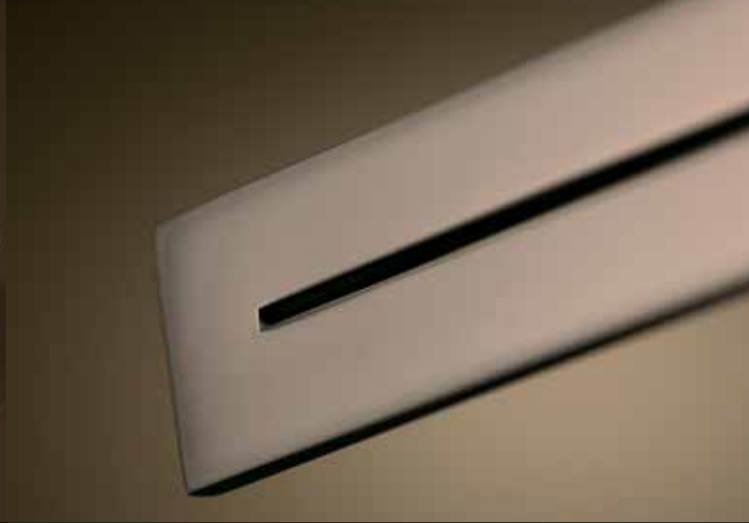
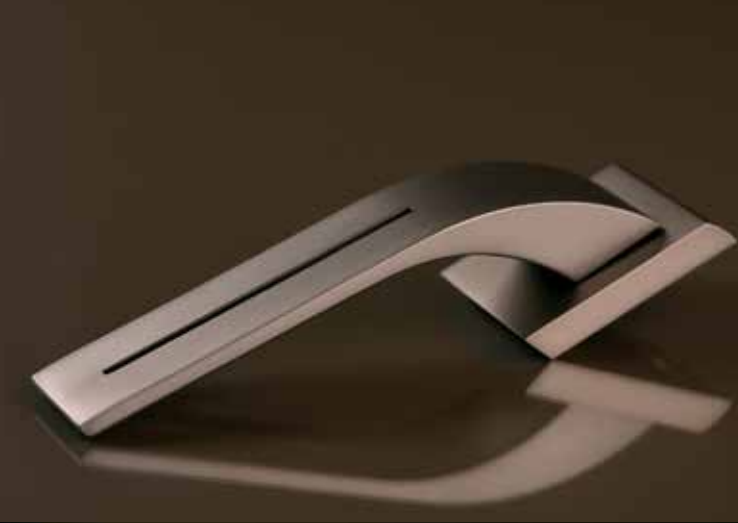
W1390.5504.90

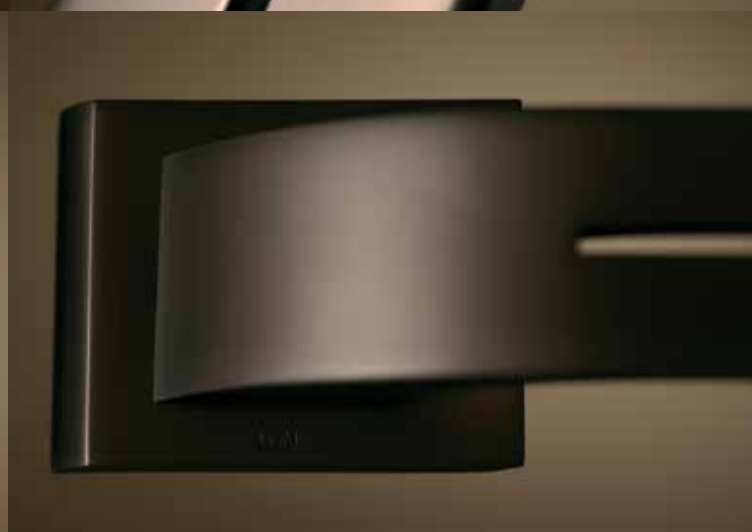


TOrERO is always elegant – in every movement,
in every situation even when
the bull's horns threaten to deal
a fatal blow any second...

„torero's dance“









TORO

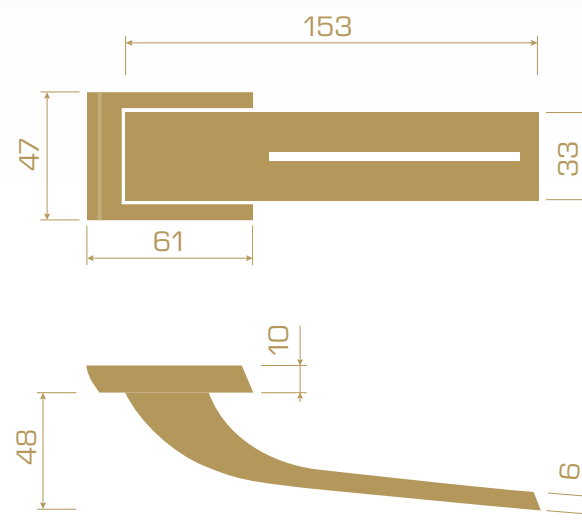
elegant



WW1590.0007.46



W1390.0007.46





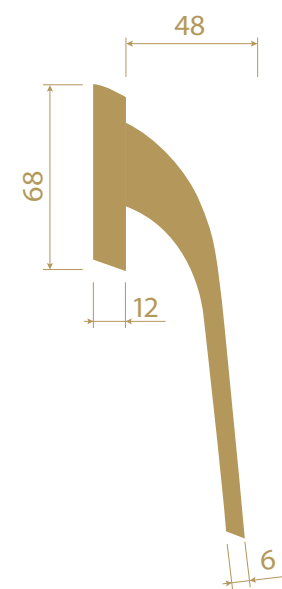
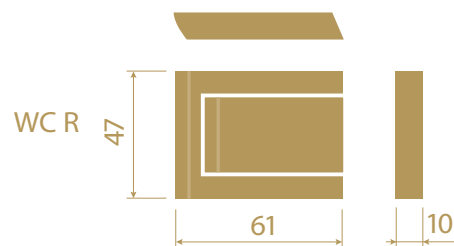
W1390.2413.61 LS
W1390.2414.61 RS



W1390.2403.55



W1390.2408.57



W1390.5506.90





Barbra Škorpilová

**Timeless and elegant wooden door handle.
With elementary shape and natural ability to age along with the interior.**





walnut

elm

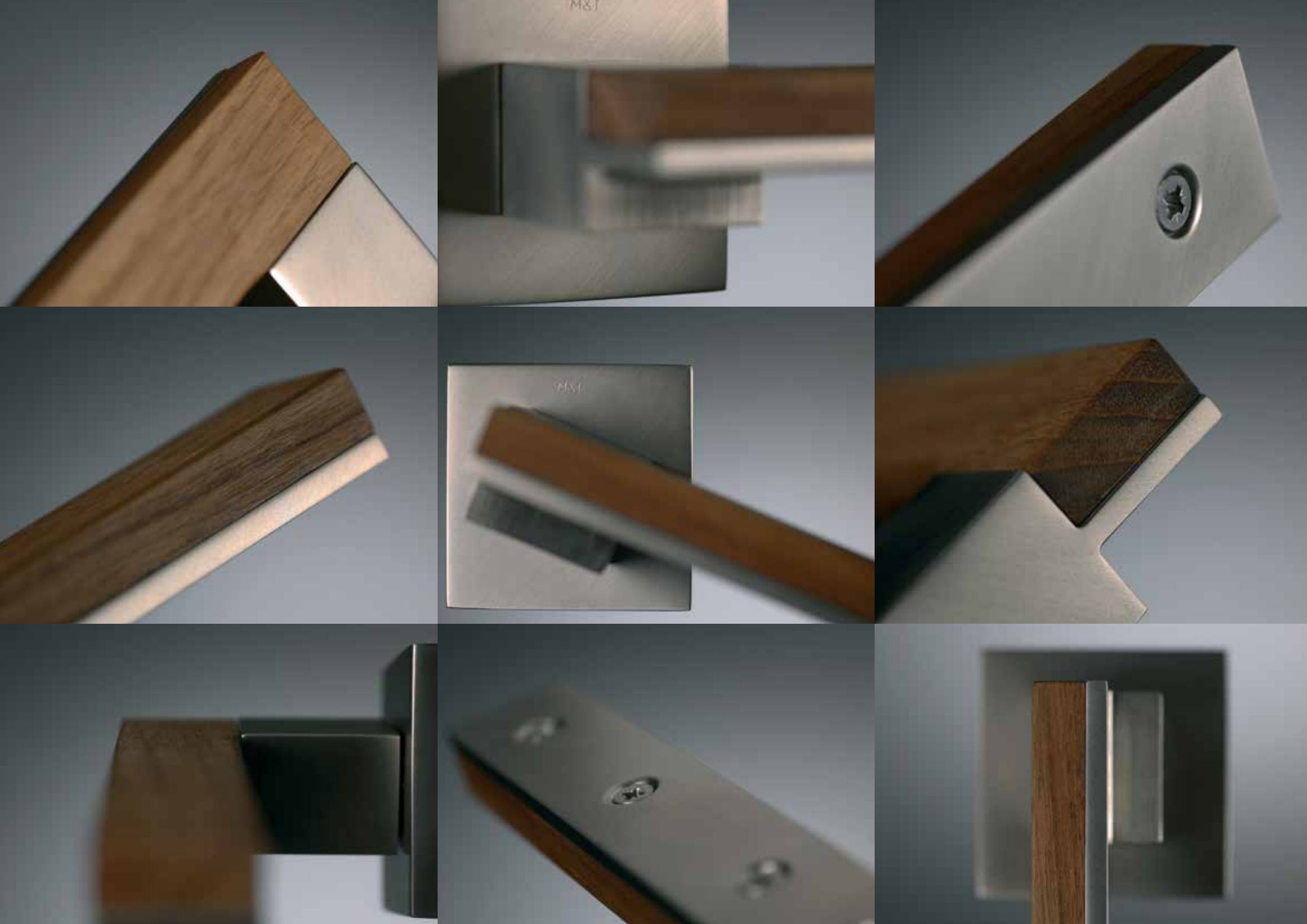
oak

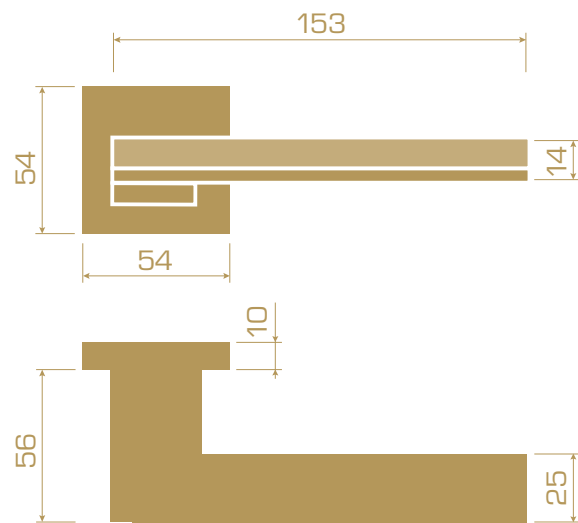
teak

bleached oak



MIMOLIMIT







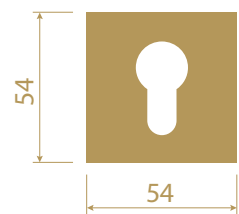
W1390.2410.61



W1390.2400.55

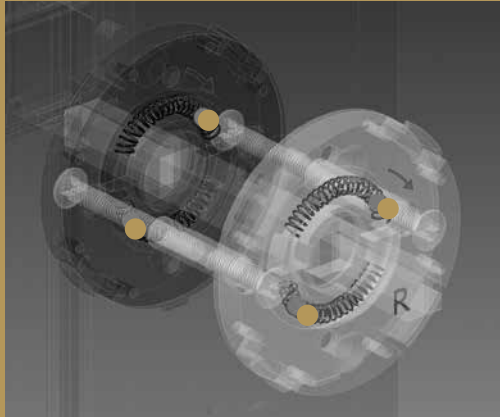


W1390.2405.57

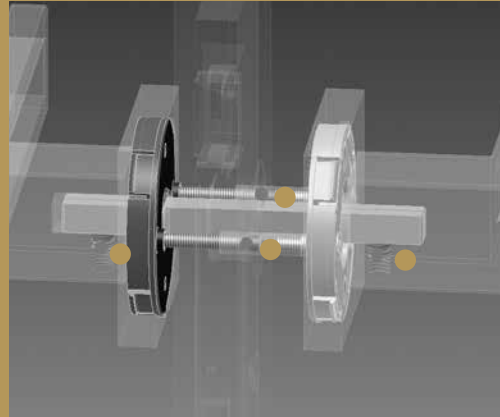


W1390.5518.90

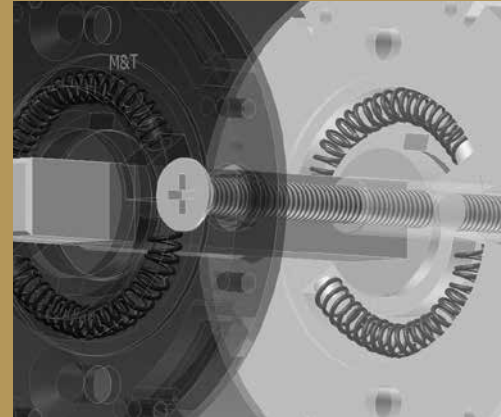




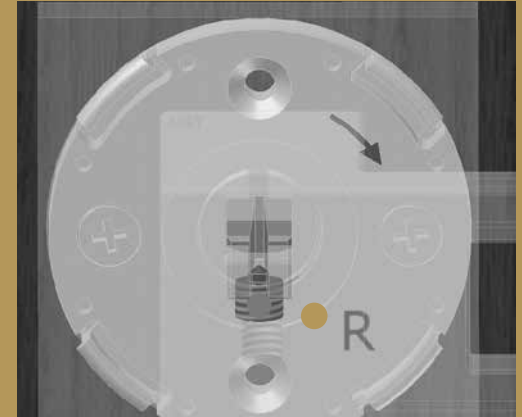
a dual spring system with a guaranteed life span of opening 100.000 times



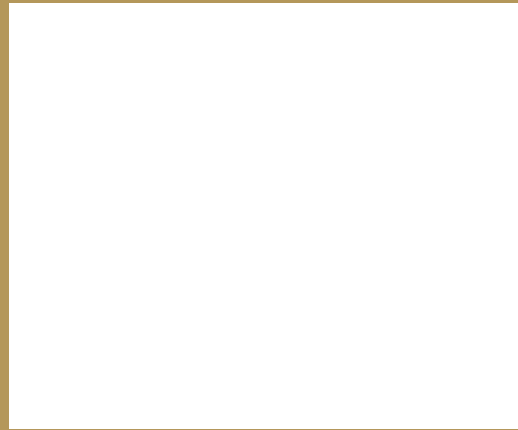
a system using screws in combination with a removable gel that prevents the screws from coming lose spontaneously



the springs are located in a plastic led slot for an extremely quiet way of working



a set screw makes sure that the spindle of the door handle is fixed well

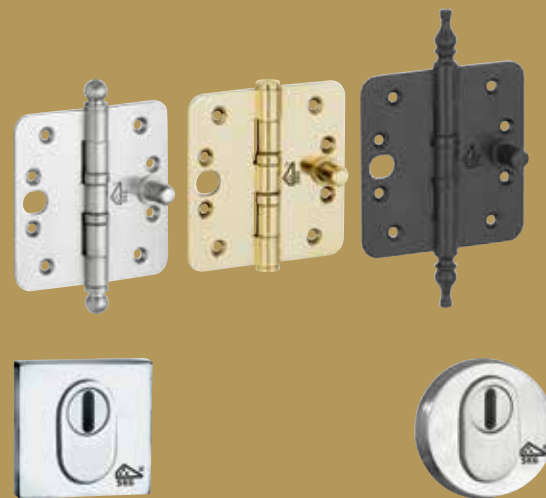


que molupta ecaborum ea volupit voluptium
 eatiuntesto quidus deriossit amet est quod quas
 doluptam erum que pa quaestiur, alis everrovid
 qui re

que molupta ecaborum ea volupit voluptium
 eatiuntesto quidus deriossit amet est quod quas
 doluptam erum que pa quaestiur, alis everrovid
 qui re

que molupta ecaborum ea volupit voluptium
 eatiuntesto quidus deriossit amet est quod quas
 doluptam erum que pa quaestiur, alis everrovid
 qui re

que molupta ecaborum ea volupit voluptium
 eatiuntesto quidus deriossit amet est quod quas
 doluptam erum que pa quaestiur, alis everrovid
 qui re



Wallebroek Benelux B.V.

Pascallaan 88

8218 NJ Lelystad, Nederland

info@wallebroek.nl

T. +31 (0)320 - 29 55 99

F. +31 (0)320 - 29 55 90

www.wallebroek.nl